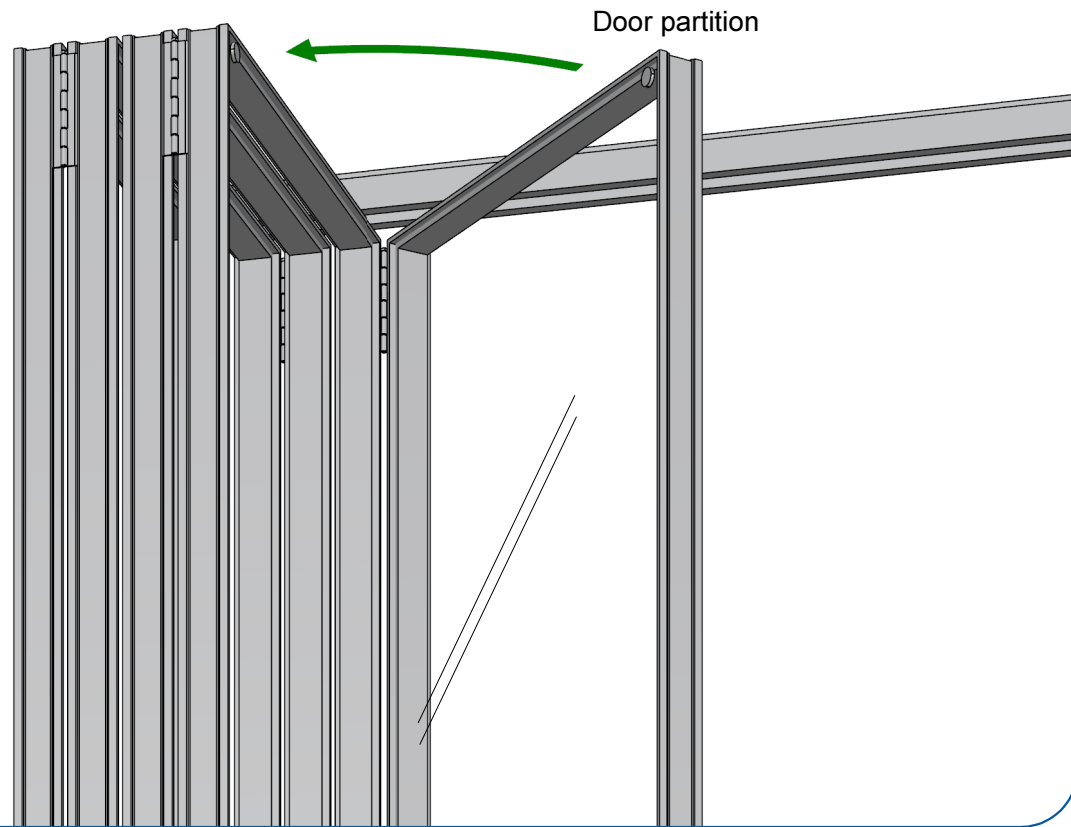


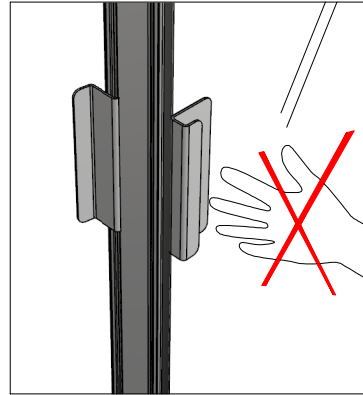
1

Make sure the door partition's magnet has connected to the next partition's magnet.



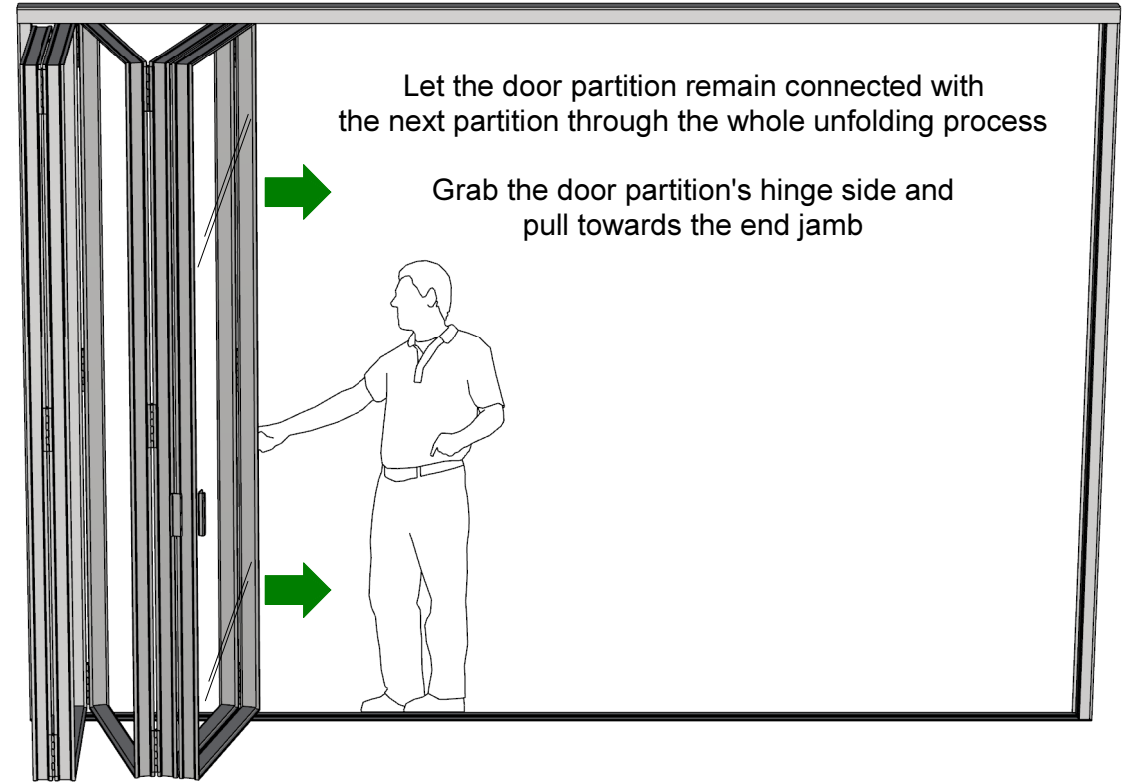
2

When unfolding the folding partition do not pull the handle!



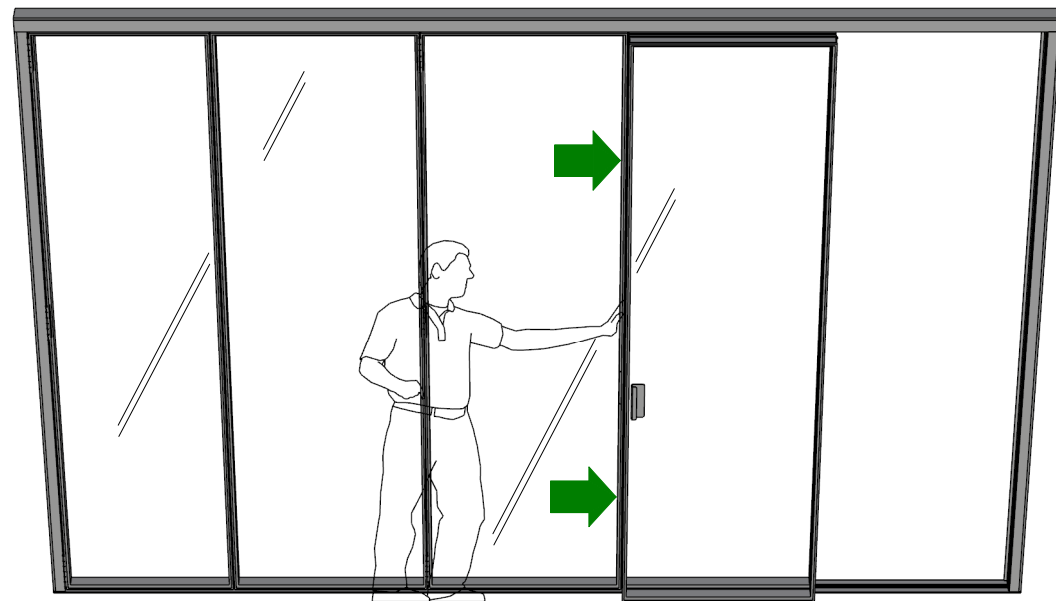
Let the door partition remain connected with the next partition through the whole unfolding process

Grab the door partition's hinge side and pull towards the end jamb



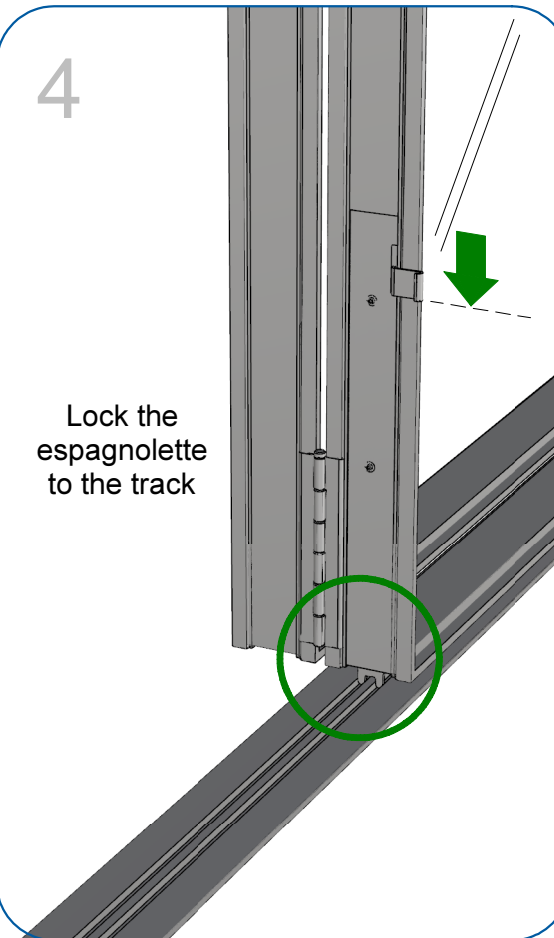
3

Push the door partitions's handle side towards the end jamb until fully extended.



4

Lock the espagnolette to the track



5

