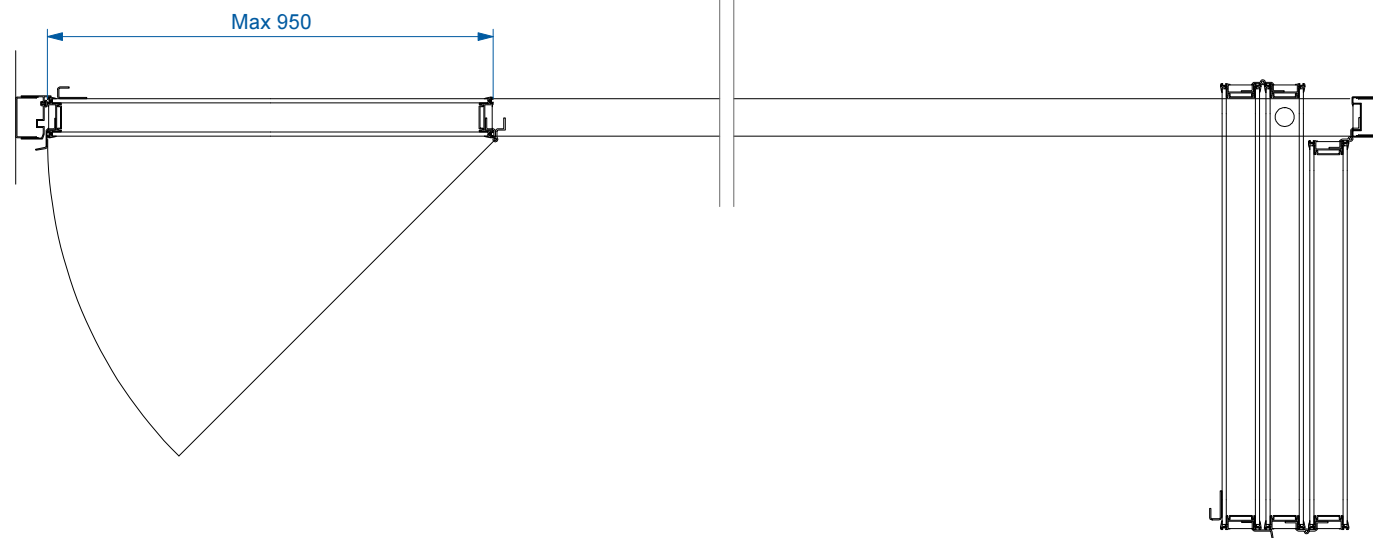


Section



GLASS FOLDING PARTITION		
Fire resistance class	Weight per sqm	Date
-	45 kg	Nov. 2015
Sound insulation $R_w$	Weighted sound absorption coefficient	Sound absorption class
47	-	-