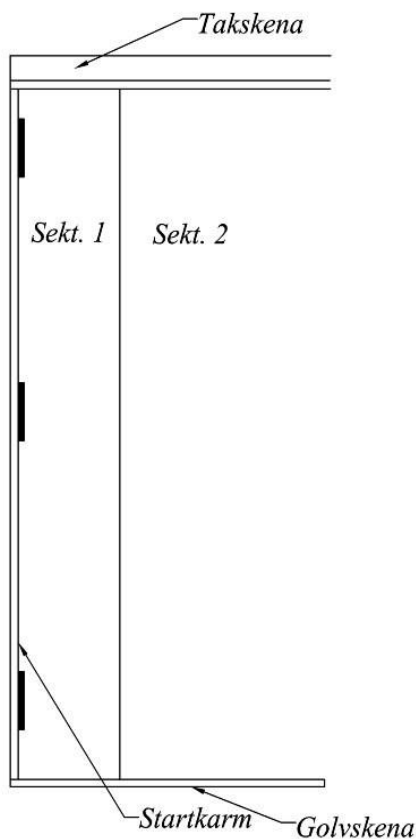
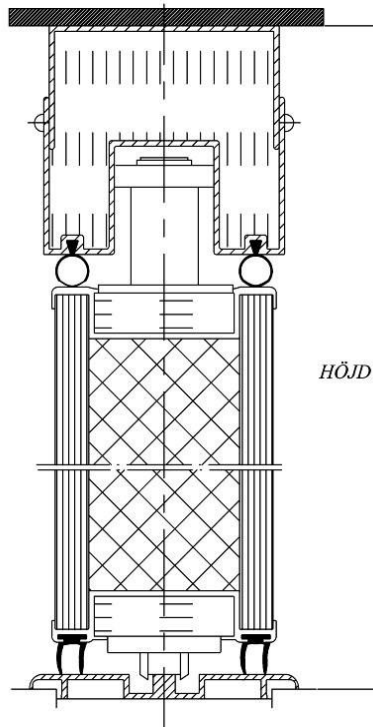


# Installation instructions folding walls



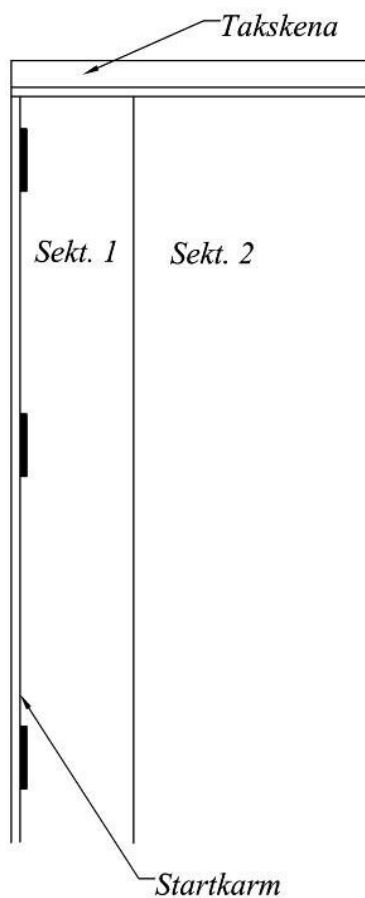
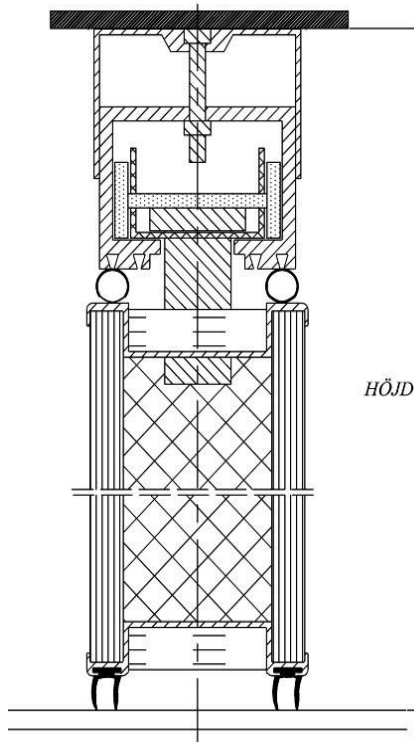
## INSTALLATION INSTRUCTIONS WINAB BOTTOM RUNNING FOLDING WALLS

The sections are numbered at the top, 1, 2, 3 etc. The start section is always number 1. The numbers are always read from the same direction.

1. The floor rail must be installed completely horizontal  $\pm 1$  mm.
2. The start jamb and the section no. 1 will be assembled together while standing vertical on the floor rail.
3. Screw the ceiling-rail's U-profile vertical to the floor rail, assemble the lower ceiling rail and insert the seal strip.
4. Lift section no. 2, fit the hinges and press down the sprints. If the top sprint can't be pushed down from the top, because of space, than bend it just slightly (about 2cm) under the sprint's hat and then press in the sprint from below.
5. Continue like paragraph 4 with the rest sections in numerical order, 3, 4, 5, etc.
6. Pull out the wall and lock it in a horizontal position with the espagnolettes.
7. Adjust the ceiling rail so the sealing strips lies next to the sections upper edges.
8. Assemble the end jamb and fix potential width errors.
9. Screw the espagnolette spacer rings and assemble the handles.
10. Attach to walls and roof to secure that it is all tight.
11. Fasten the magnet according to the instructions on the last page.

If there will be any problems associated to the assembly, please contact us.

## INSTALLATION INSTRUCTION WINAB TOP HUNG FOLDING WALLS



The sections are numbered at the top, 1, 2, 3 etc. The start section is always number 1. The numbers are always read from the same direction.

1. Assemble one ceiling rail, the U-profile in the end where the wall should be parked, don't forget the bolts in the center of the rail. Push up the other ceiling rail, assemble the bolts.

2. The start jamb and the section no. 1 will be assembled together standing vertical over the ceiling-rail's center.

3. Lift section no. 2 and 3, one of them have a wheel that will be fit in the opening that you have left in the ceiling rail. The wheel is pre-adjusted from the fabric and will be found on every other section. Fit the hinges and press down the sprints. If the top sprint can't be pushed down from the top, because of space, than bend it just slightly (about 2cm) under the sprint's hat and then press in the sprint from below.

4. Continue according to paragraph 3 with the rest sections in numerical order, 4, 5, etc.

5. Assemble the remaining of the ceiling-rail's parts.

6. Pull out the wall and lock it in a horizontal position with the espagnolettes.

7. Adjust the ceiling rail so the sealing strips touches the floor.

8. Assemble the end jamb and fix potential width errors.

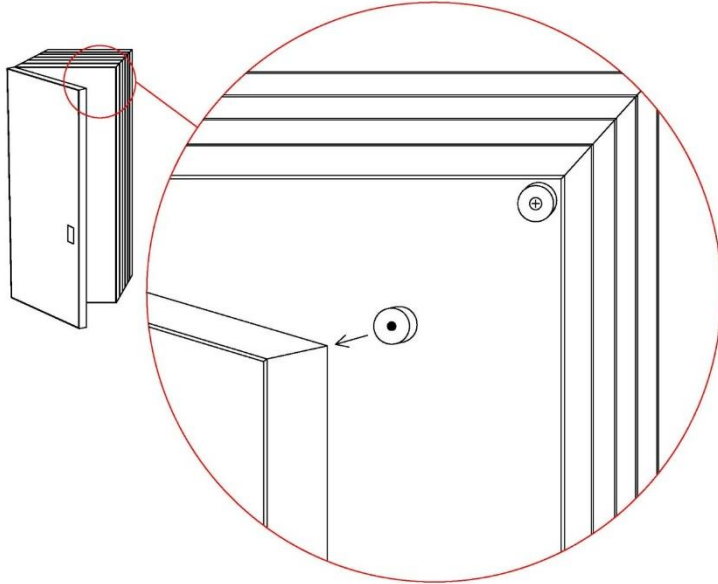
9. Screw the espagnolette spacing ring and assemble the floor espagnolette guide for the espagnolette in the section closest to the door. Assemble the handles.

10. Attach to walls and roof to secure that it is all tight.

11. Fasten the magnet according to the instructions on the last page.

## INSTALLATION INSTRUCTION FOR MAGNETS

The magnets will be assemble on every folding wall to keep the function and the condition up under a long time.



12. Screw the magnets in the upper corner of the door panel and the adjacent panel on the opposite side of the hinges. Note the countersink made for the screws.

13. When the screws are tighten up, loosen one screw just a bit, so the magnet will be able to move a little. This will improve the function.

THANK YOU FOR CHOOSING A WINAB FOLDING WALL.

If there will be any problem with the installation please contact us.



**winab**



WINAB VIKVÄGGAR AB

Box 38, 178 21 Ekerö. Visit address: Ekerövägen, Asknäs  
Tel: +46 8-560 211 00 Email: [info@winab.se](mailto:info@winab.se)